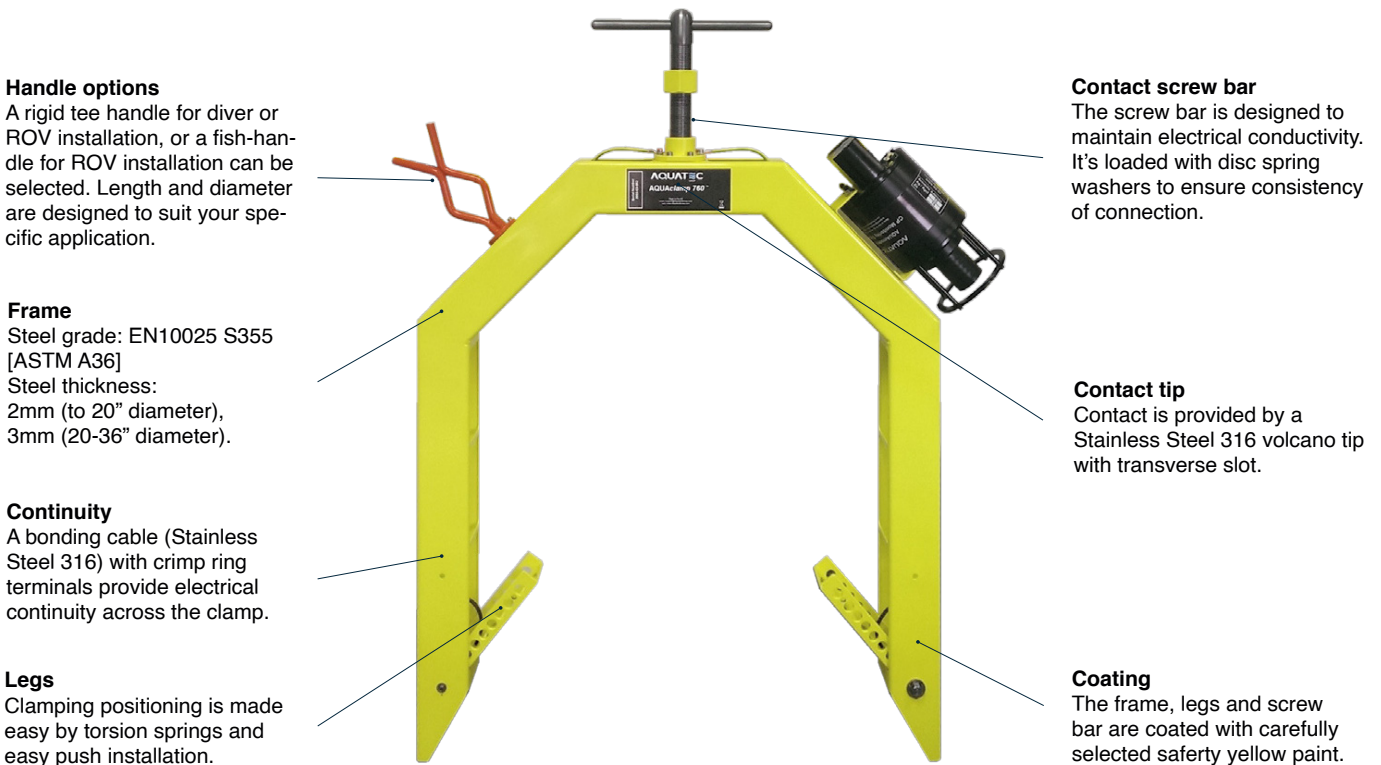


SUBSEA CLAMP

AQUAclamp™ - Datasheet

The AQUAclamp™ is a robust frame, designed to fit onto submerged pipes and other structures. The user-friendly design makes it easily deployable by an ROV or a diver, and is ideal for the retrofit of monitoring equipment to pipelines and structures.



Handle options

A rigid tee handle for diver or ROV installation, or a fish-handle for ROV installation can be selected. Length and diameter are designed to suit your specific application.

Frame

Steel grade: EN10025 S355 [ASTM A36]
Steel thickness:
2mm (to 20" diameter),
3mm (20-36" diameter).

Continuity

A bonding cable (Stainless Steel 316) with crimp ring terminals provide electrical continuity across the clamp.

Legs

Clamping positioning is made easy by torsion springs and easy push installation.

Contact screw bar

The screw bar is designed to maintain electrical conductivity. It's loaded with disc spring washers to ensure consistency of connection.

Contact tip

Contact is provided by a Stainless Steel 316 volcano tip with transverse slot.

Coating

The frame, legs and screw bar are coated with carefully selected safety yellow paint.

KEY FEATURES

Customisable

- We offer the AQUAclamp™ in a variety of sizes to suit the dimensions of the pipe
- The AQUAclamp™ is compatible with subsea monitoring equipment, including Aquatec's AQUAmodem® range. The instrument allows easy retrofit of real-time monitoring units to existing subsea pipelines and structures
- Fully customisable heavy duty continuity cables can be supplied to meet specific customer requirements

AQUAclamp™ in place, with a simple push and twist installation process

- When combined with Aquatec's innovative AQUAmodem® communication system, real-time cathodic protection, monitoring and closed loop control are easy to retrofit on aging assets

Durability

- Made of durable epoxy coated carbon steel, the AQUAclamp™ is ideal for use in all water environments

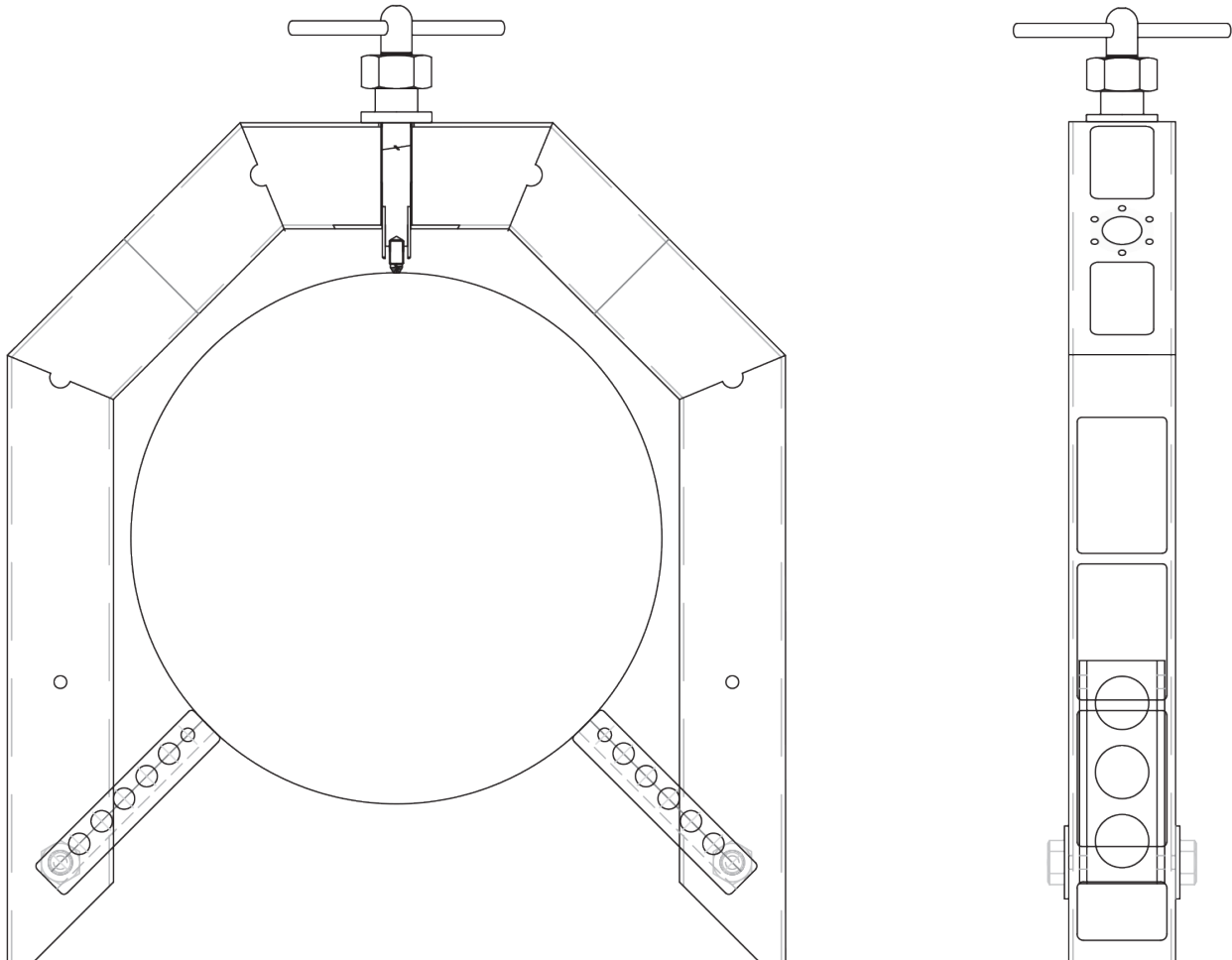
User-friendly design

- An ROV can easily install and secure the

AQUAclamp™ SIZE OPTIONS

Model	Pipe outer diameter		Weight* (in air)		Weight* (in water)	
	Inches	mm	kg	lb	kg	lb
AQUAclamp™ 150	6	150	7	15.4	6	13.2
AQUAclamp™ 200	8	203	8	18	7.1	15.7
AQUAclamp™ 250	10	250	9.6	21.2	8.3	18.3
AQUAclamp™ 300	12	305	11.5	25.4	9.9	21.8
AQUAclamp™ 360	14	360	13.9	30.6	12	26.5
AQUAclamp™ 410	16	410	15.4	33.9	13.3	29.3
AQUAclamp™ 460	18	460	15.8	34.8	13.5	29.7
AQUAclamp™ 510	20	510	16	35.3	13.8	30.5
AQUAclamp™ 560	22	560	17.6	38.8	15.2	33.6
AQUAclamp™ 610	24	610	19.2	42.3	16.6	36.6
AQUAclamp™ 760	30	760	24	52.9	20.8	45.8
AQUAclamp™ 910	36	910	28.8	63.5	24.9	54.9

*Weights exclude monitoring unit, ROV handle, continuity cables and hardware.



Aquatec Group Ltd.
Registered in England & Wales
No. 2523284

Visiting Address
Aquatec House, Stroudley Road,
Basingstoke RG24 8FW, UK

Internet
www.aquatecgroup.com
inquiry@aquatecgroup.com

Telephone / Fax
+44 (0) 1256 416010
+44 (0) 1256 416019